

# PENDANT TYPE MONITOR STAND for CANVAS1000 DMS-3PP



## SPECIFICATIONS

Wall, Pendant Mounting Solutions

- 90 cm wall rail,
- 18,0 cm fixed arm frame holder,
- 25,5 cm rotatable arm for monitor,
- Compatible with all pendant types,
- 320 mm x 195 mm x 125 mm multi purpose wire basket,
- Fixed arms can move up and down on wall rail,
- Monitor holder can rotate around its own axis 360 degrees,
- Monitor holder can tilt back and forth 20 degrees,
- Product weight: 6,8 kg,
- Max. carrying capacity: 60 kg.

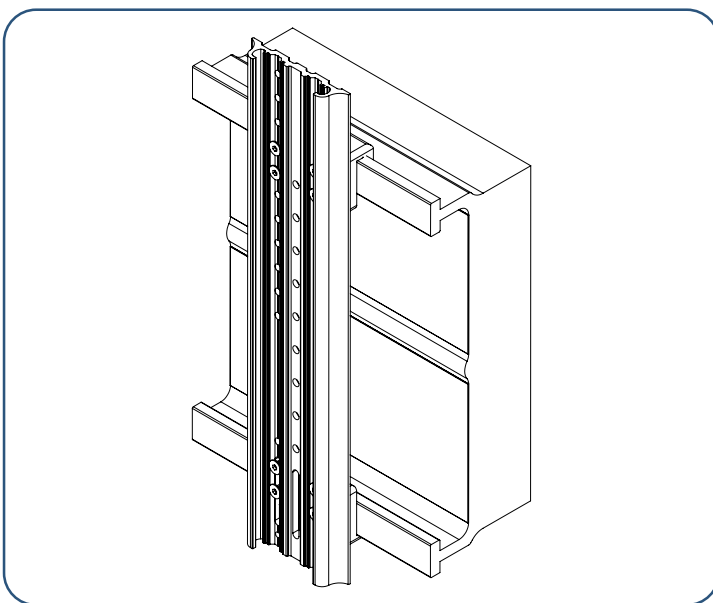
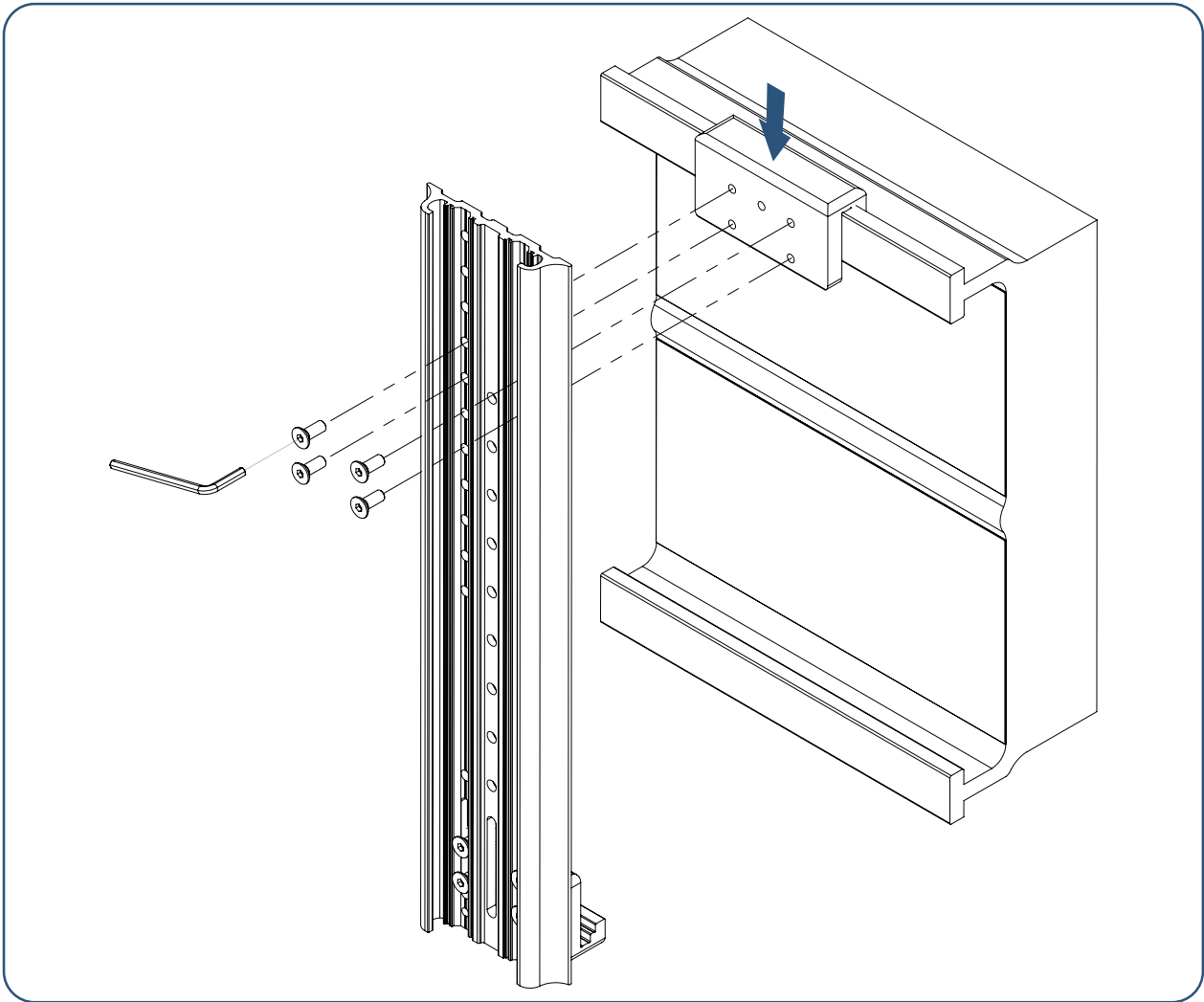
## CONTENT

Wall Rail	1 pce	EN.AL.M03
Medical Basket	1 pce	TS-03
Fixed Arm	1 pce	KG-02-18
Rotatable Arm	1 pce	KG-H2
L-Clamp	2 pce	
Hex Key (4, 5, 6mm)		
Bolts & Washers		



## INSTALLATION INSTRUCTIONS

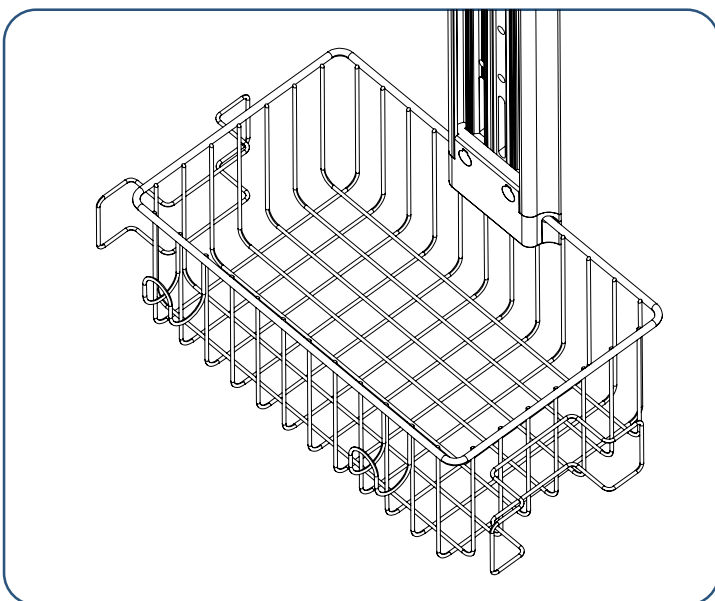
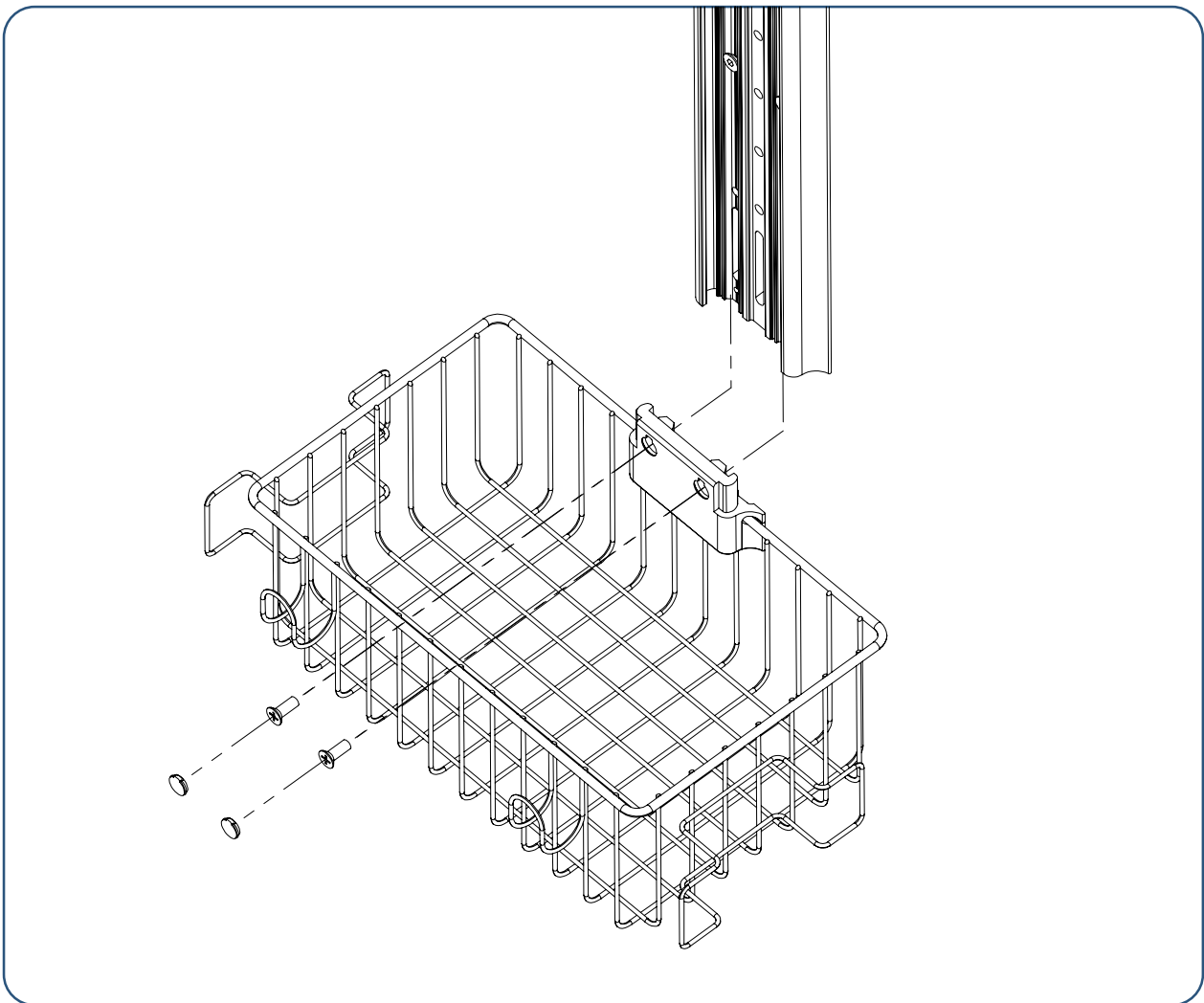
1. Installation process must be done by qualified personnel. The manufacturer is not responsible for any accidents that may occur as a result of improper assembly practices.
2. The installation manual should be read carefully before installation.
3. Care should be taken when unpacking the products.
4. Step the product in its installation, along with the movement of other hospital equipment with its own movement.
5. Do not install the product on sloping, wet and dirty floors.
6. All connection parts (bolts, screws, nuts, dowels etc.) sent with the products are numbered. After installation, these parts must be used completely.
7. Do not perform the installation while there is a patient in the assembly area.
8. The products to be installed should not block emergency call buttons, emergency escape routes and doors, light, door sensor, air and electricity connection inputs and exits.
9. While the product parts are being joined, the tightening of the bolts should be done at the appropriate torque and should be stable.
10. While assembling the product, it should be ensured that the mounting equipment does not damage the products.
11. Make sure to position the device while placing the device on the product.
12. Suno Medical has prepared its products and product installation guides to ensure a high level of safety. SUNO Medical reserves all the rights to make changes regarding the product, spare parts and assembly applications.
13. The user is responsible for any accidents and problems that may arise from using the product outside of its design and intended use.
14. Suno Medical is not responsible for any errors that may occur as a result of the loads exceeding the carrying capacity of the product.
15. Tipping, falling etc. that may occur during the use of other hospital equipment and accessories other than the bedside monitor mounted on the product. Suno Medical is not responsible for the damage that may be caused by such situations to the patient.



Place one of the L-Clamps on the top rail of the pendant. Position the wall rail so that the slots on the wall rail are down and the holes on the wall rail match the upper L-clamp. First tighten the bolts that will attach the upper wall rail to the L-clamp. Attach the lower L-clamp to the wall rail with the bolt and do not fully tighten. Press the L-clamp moving in the slot upwards and tighten the pendant rail. Tighten the bolts fully while pressing the L-clamp upwards onto the pendant.



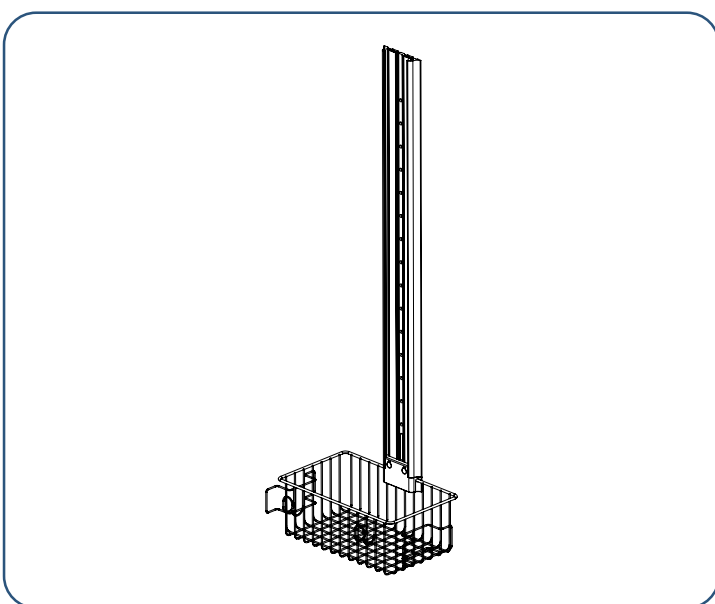
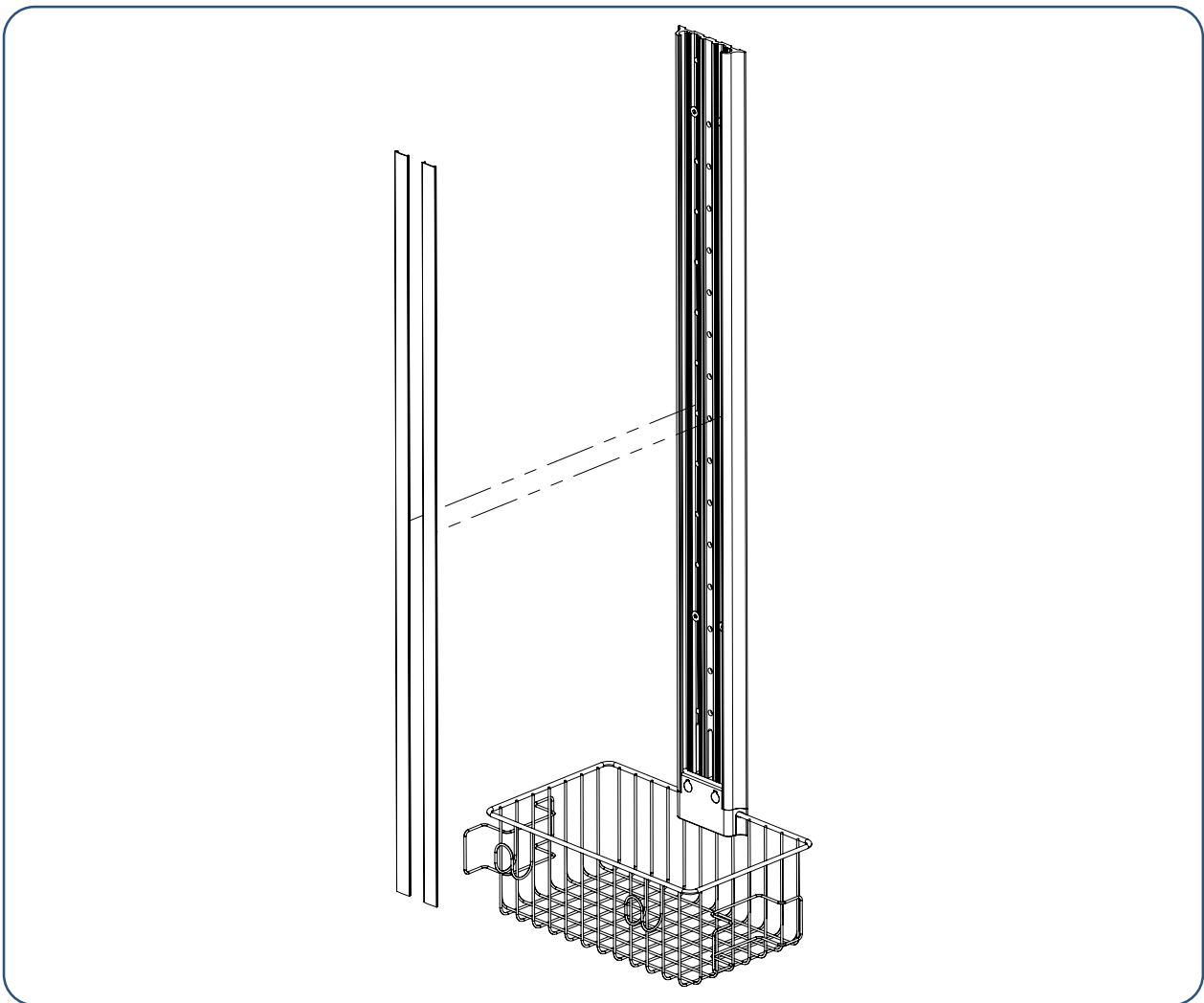
Make sure all bolts are fully tightened.



Insert the basket into the channel in the wall rail and tighten the bolts. Cover the bolts with a plastic cap.



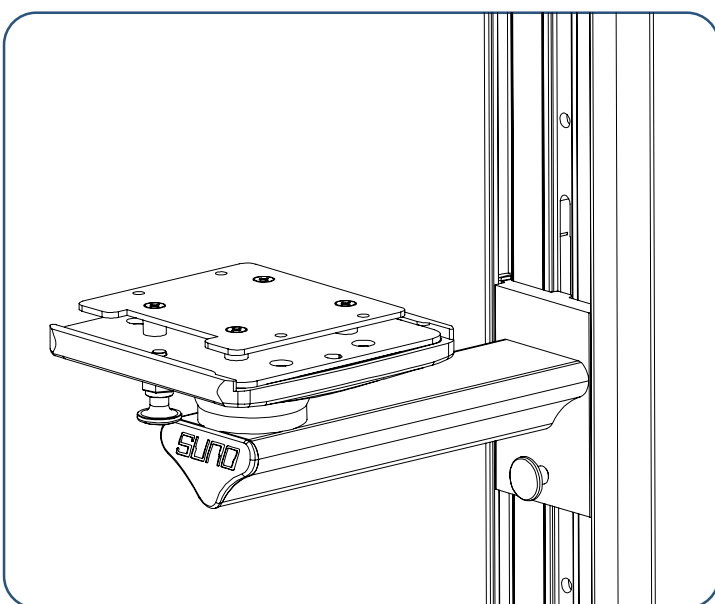
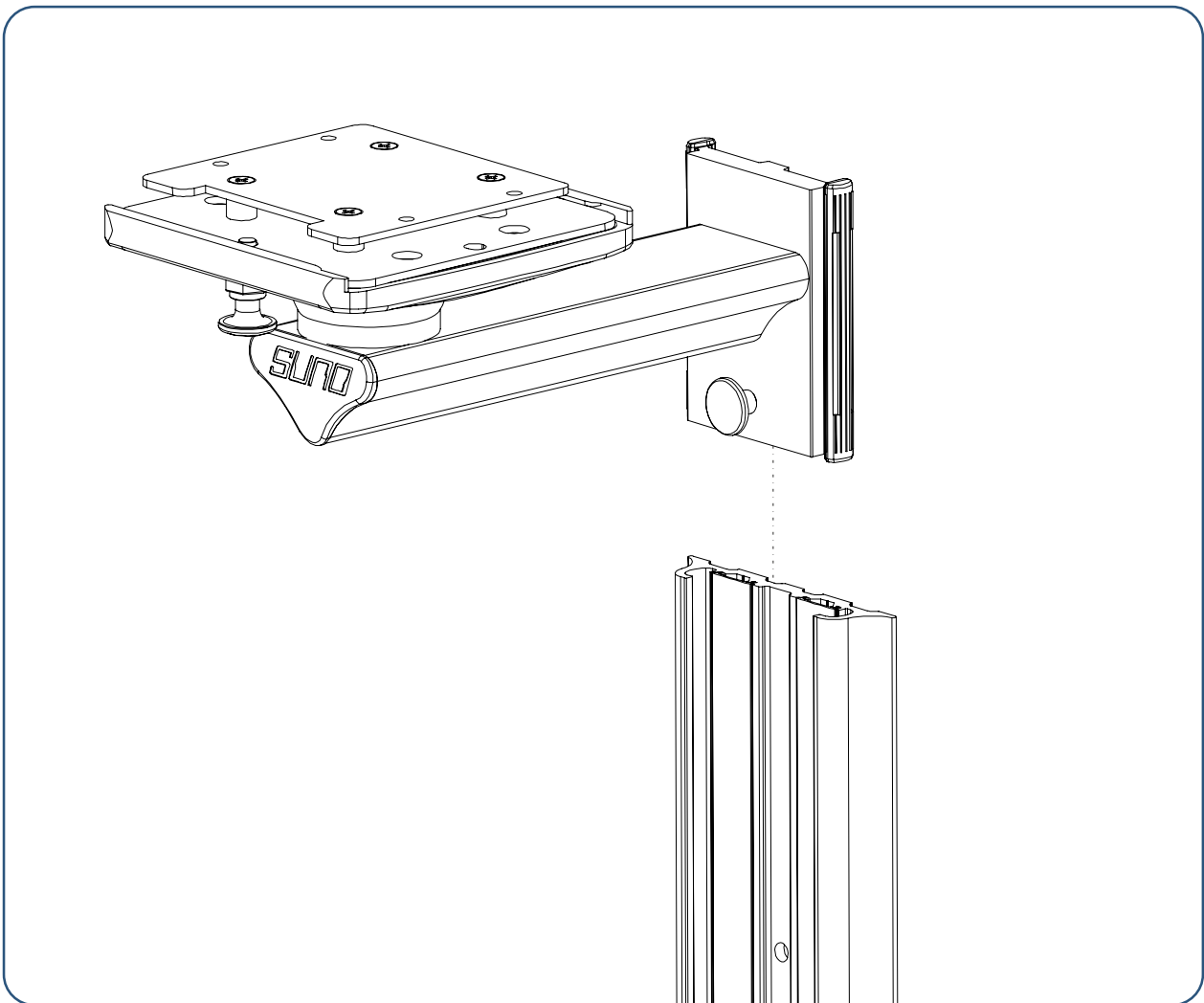
Make sure all bolts are fully tightened.



Press the plastic strips into place on the wall rail, starting from the bottom up.



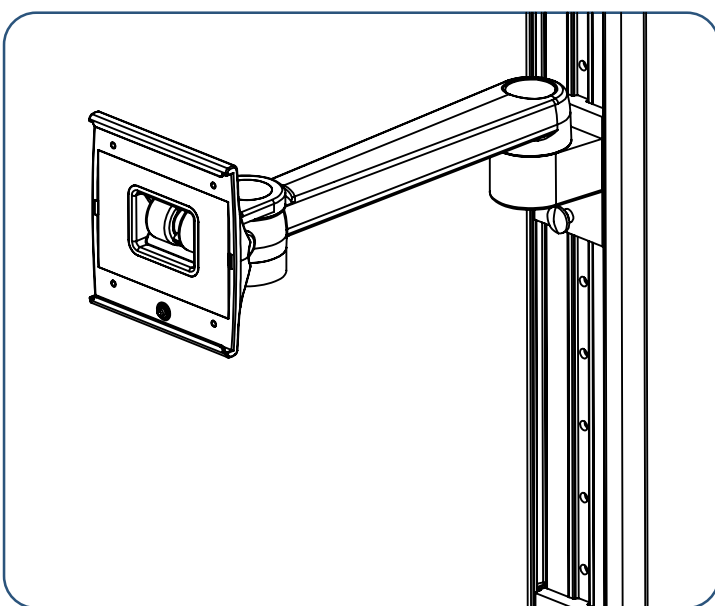
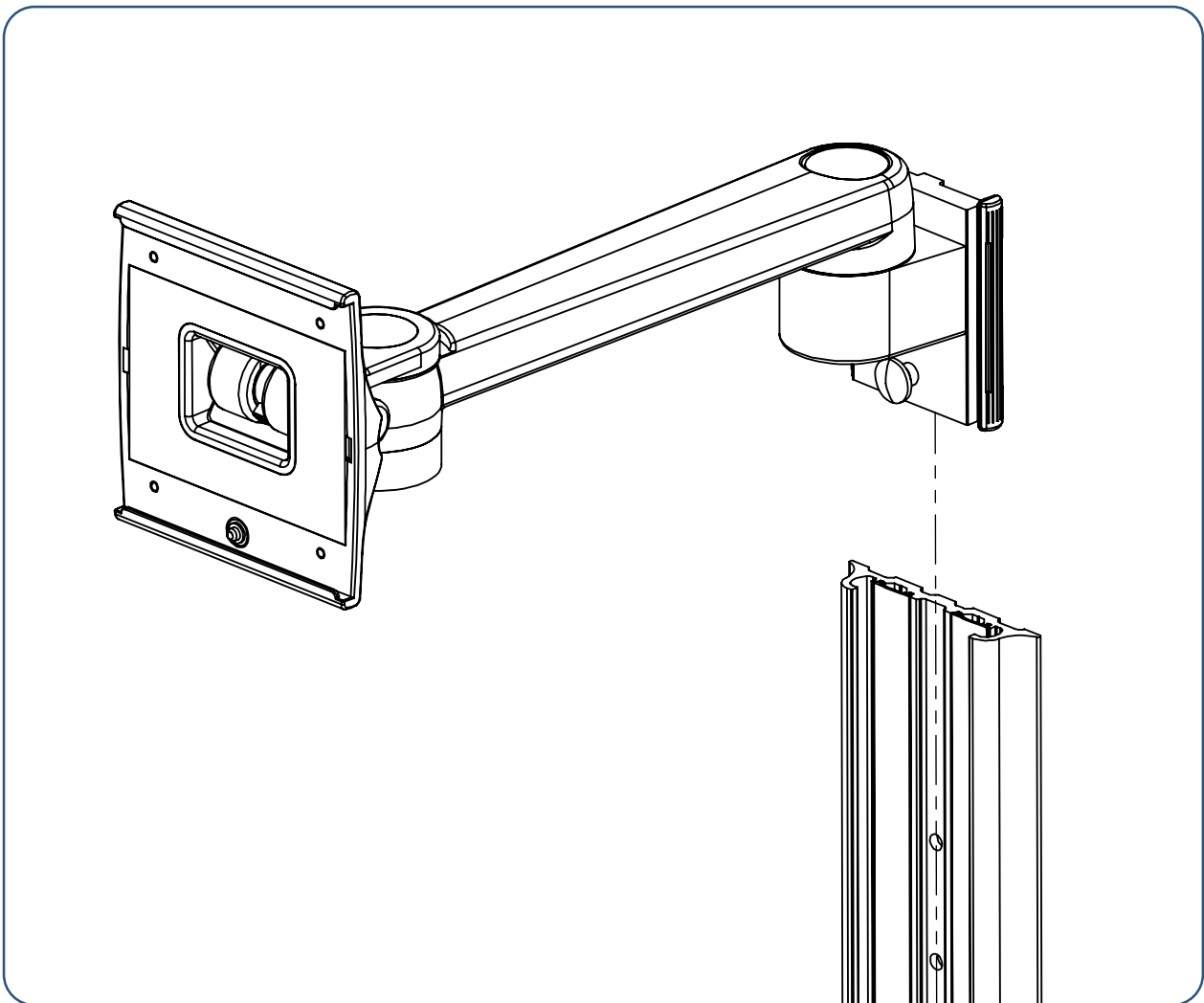
Make sure the plastic slats are fully seated.



Position the frame arm assembly on the wall rail as shown from top to bottom. You must pull the pin on the sled while threading the arm assembly. Leave the arm assembly in the desired position on the wall rail.



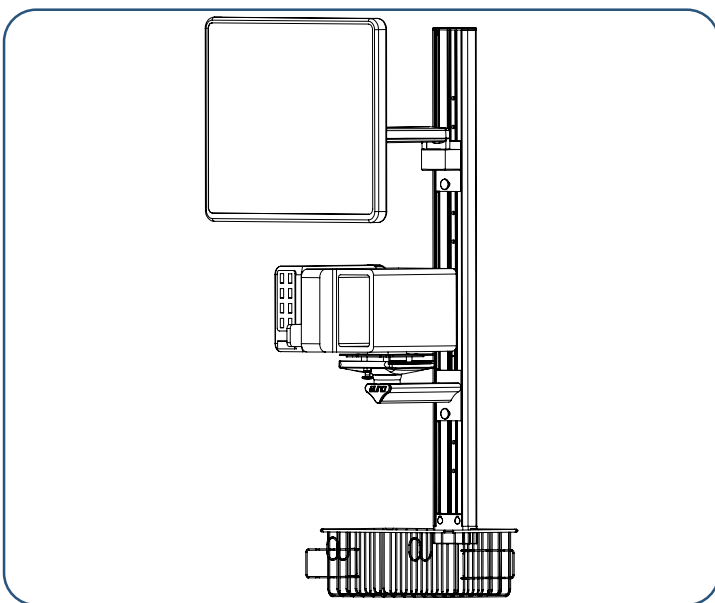
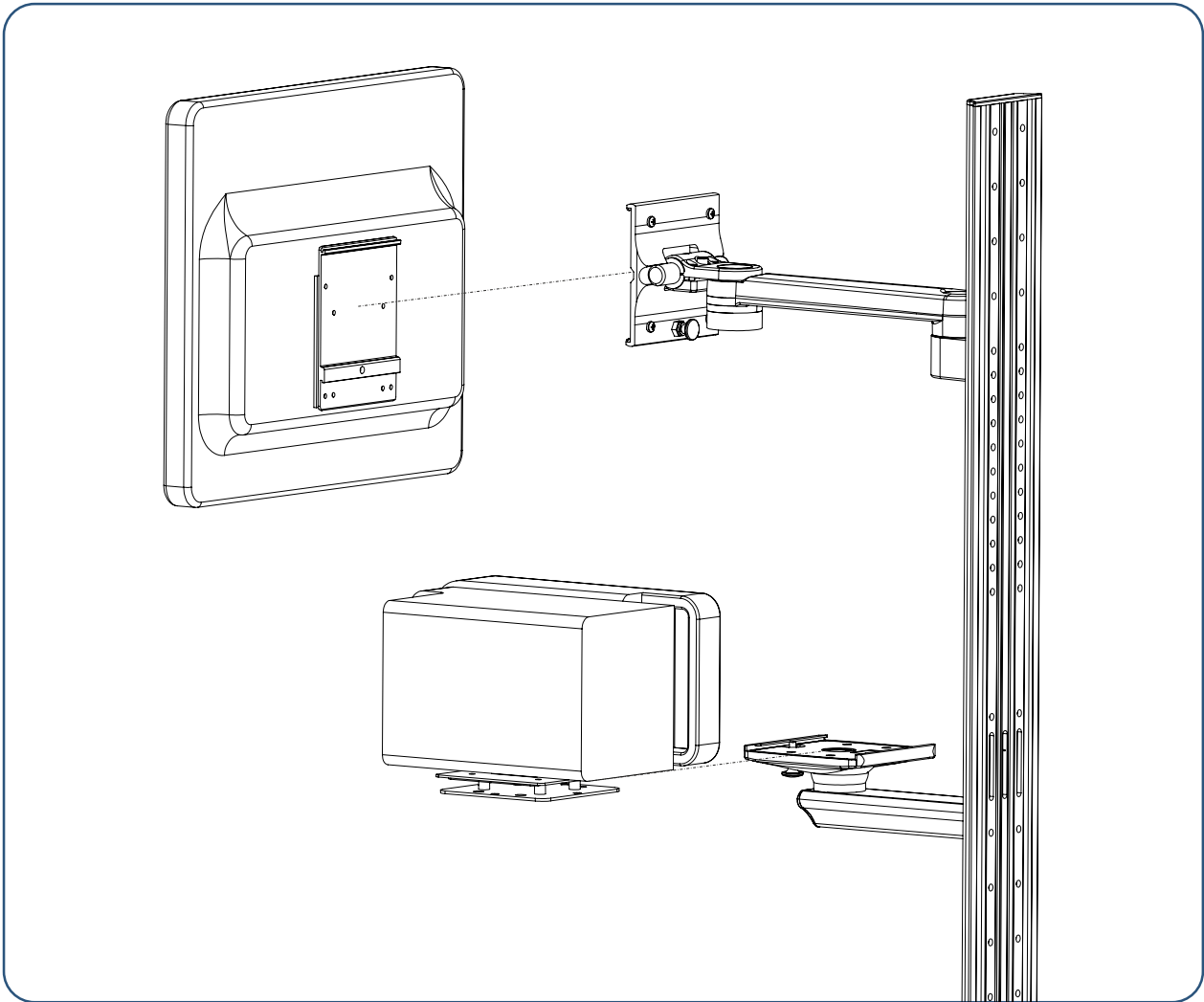
Make sure the pin is fully seated and secured.



Position the canvas1000 arm assembly on the wall rail as shown from top to bottom. You must pull the pin on the sled while threading the arm assembly. Leave the arm assembly in the desired position on the wall rail.



Make sure the pin is fully seated and secured.



Attach the F2 Frame and Canvas1000 monitor to the rails on the arm as shown. You can install the CS One monitor on the F2 Frame according to GE's instructions.



Make sure the pin is fully seated and secured.



DMS-3PP-CANVAS1000

