

WIDE WHEEL TROLLEY for CANVAS1000 VGA-60D



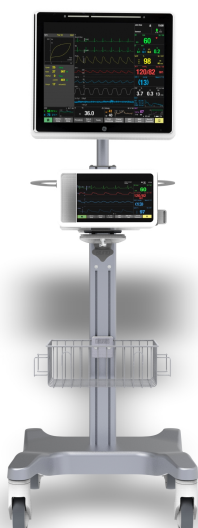
SPECIFICATIONS

Roll Stand

- The carrier unit has 4 arms and is made of injection aluminum.
- Ø125 plastic wheels that has high carrying capacity,
- There are mounting arms for the Carescape One monitor and F5/F2 frame on the body.
- Two of the plastic wheels are braked and lockable.
- Stand body is made of extruded aluminum profile.
- The stand body has a carrying capacity of 60kg.
- The dimensions of the wire basket are 320x195x125mm.
- The basket has cable hangerson its front and sides.
- The basket has a carrying capacity of 8kg.
- The stand set is made of a lean metal alloy.
- The handle is coated with plastic.

CONTENT

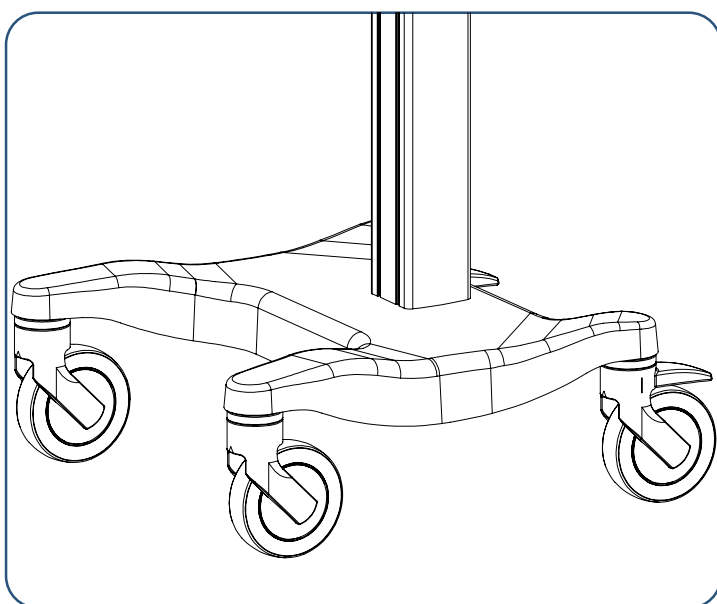
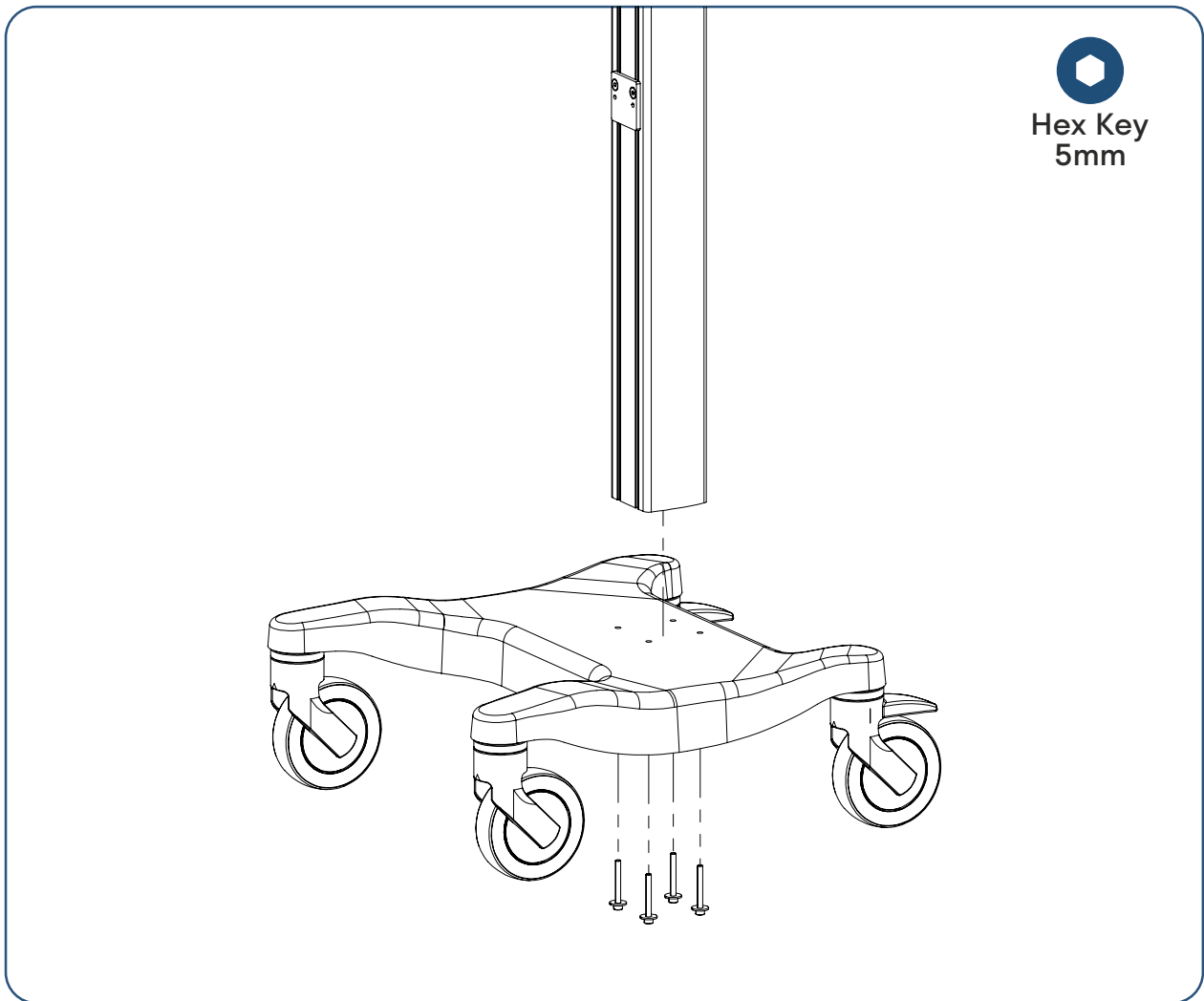
Wide Wheel Base	1 pce	EN.AL.M02
Body Profile Group	1 pce	PR.AL.M05
Medical Basket	1 pce	TS.02
F5/F2 Arm	1 pce	SC.04.HS
Rotary Group	1 pce	
Handle	1 pce	
Hex Key (4, 5, 6mm)		
Bolts & Washers		



INSTALLATION INSTRUCTIONS

1. Installation process must be done by qualified personnel. The manufacturer is not responsible for any accidents that may occur as a result of improper assembly practices.
2. The installation manual should be read carefully before installation.
3. Care should be taken when unpacking the products.
4. Step the product in its installation, along with the movement of other hospital equipment with its own movement.
5. Do not install the product on sloping, wet and dirty floors.
6. All connection parts (bolts, screws, nuts, dowels etc.) sent with the products are numbered. After installation, these parts must be used completely.
7. Do not perform the installation while there is a patient in the assembly area.
8. The products to be installed should not block emergency call buttons, emergency escape routes and doors, light, door sensor, air and electricity connection inputs and exits.
9. While the product parts are being joined, the tightening of the bolts should be done at the appropriate torque and should be stable.
10. While assembling the product, it should be ensured that the mounting equipment does not damage the products.
11. Make sure to position the device while placing the device on the product.
12. Suno Medical has prepared its products and product installation guides to ensure a high level of safety. SUNO Medical reserves all the rights to make changes regarding the product, spare parts and assembly applications.
13. The user is responsible for any accidents and problems that may arise from using the product outside of its design and intended use.
14. Suno Medical is not responsible for any errors that may occur as a result of the loads exceeding the carrying capacity of the product.
15. Tipping, falling etc. that may occur during the use of other hospital equipment and accessories other than the bedside monitor mounted on the product. Suno Medical is not responsible for the damage that may be caused by such situations to the patient.

1. Body-Base Assembly

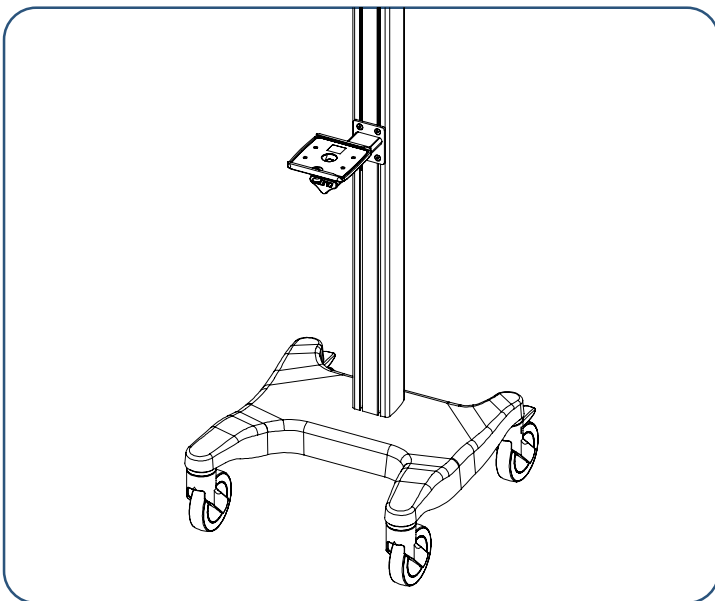
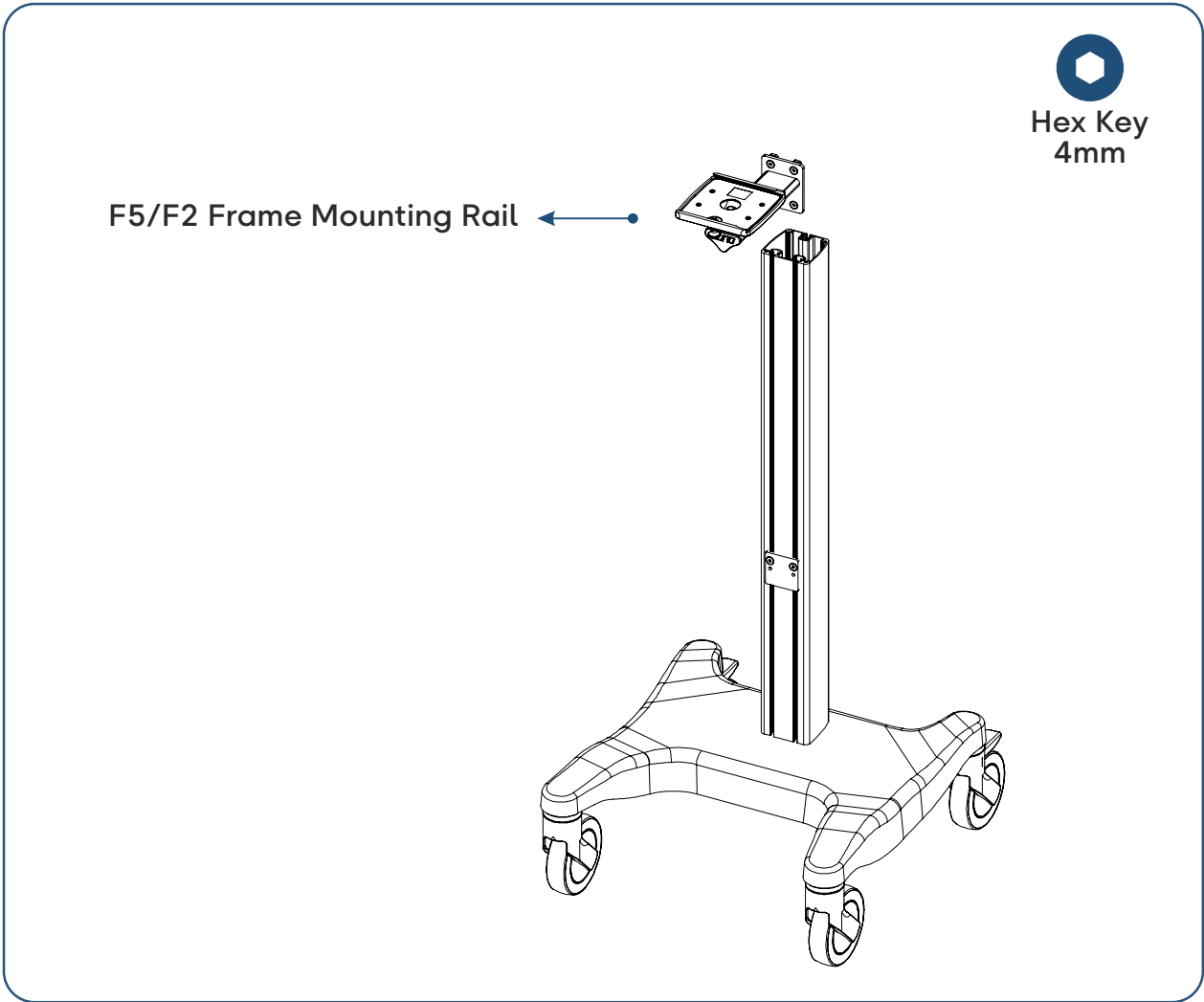


Mount the body profile on the wide wheel base as shown. The bolt and hex key you will use for this process are included in the box and on the body profile.



Make sure all bolts are fully tightened.

2. F2 Arm Assembly

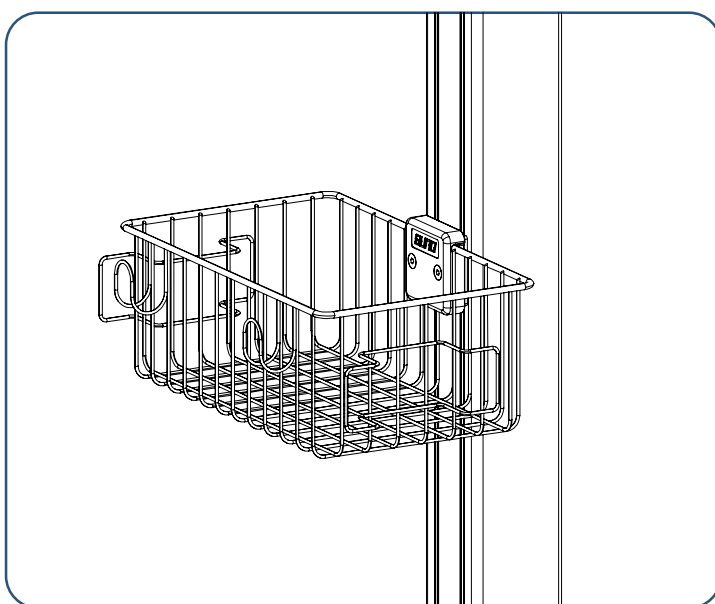
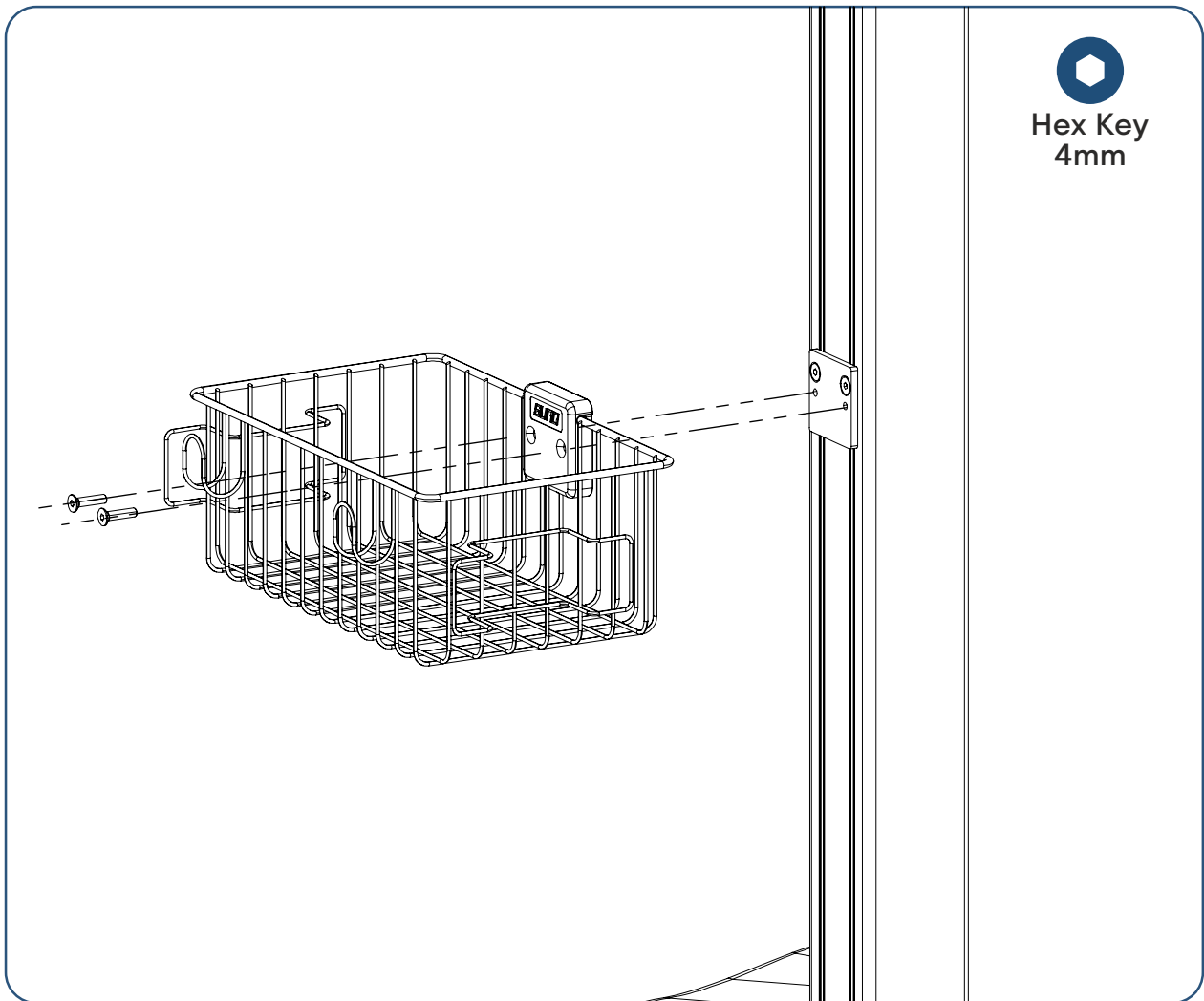


Put the nuts on the back of the arms onto the rail on the body profile, bring them to the position you determined, tighten the bolts and fix them.



Make sure all bolts are fully tightened.

3. Basket Assembly

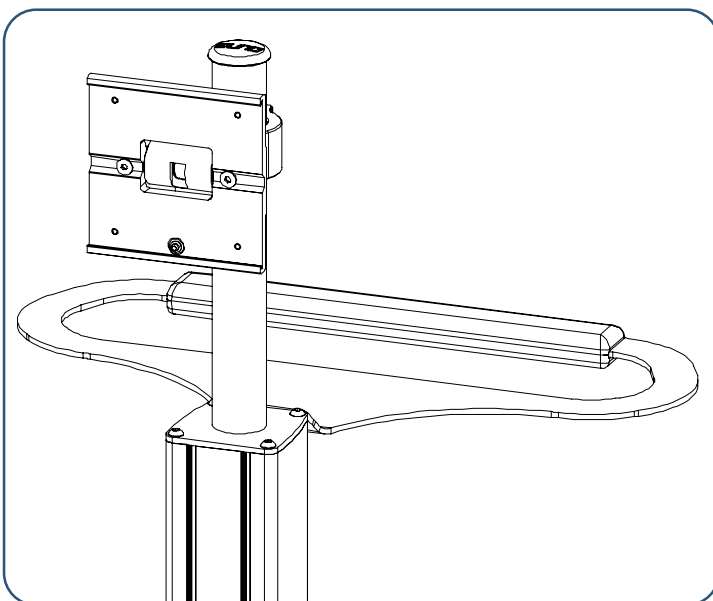
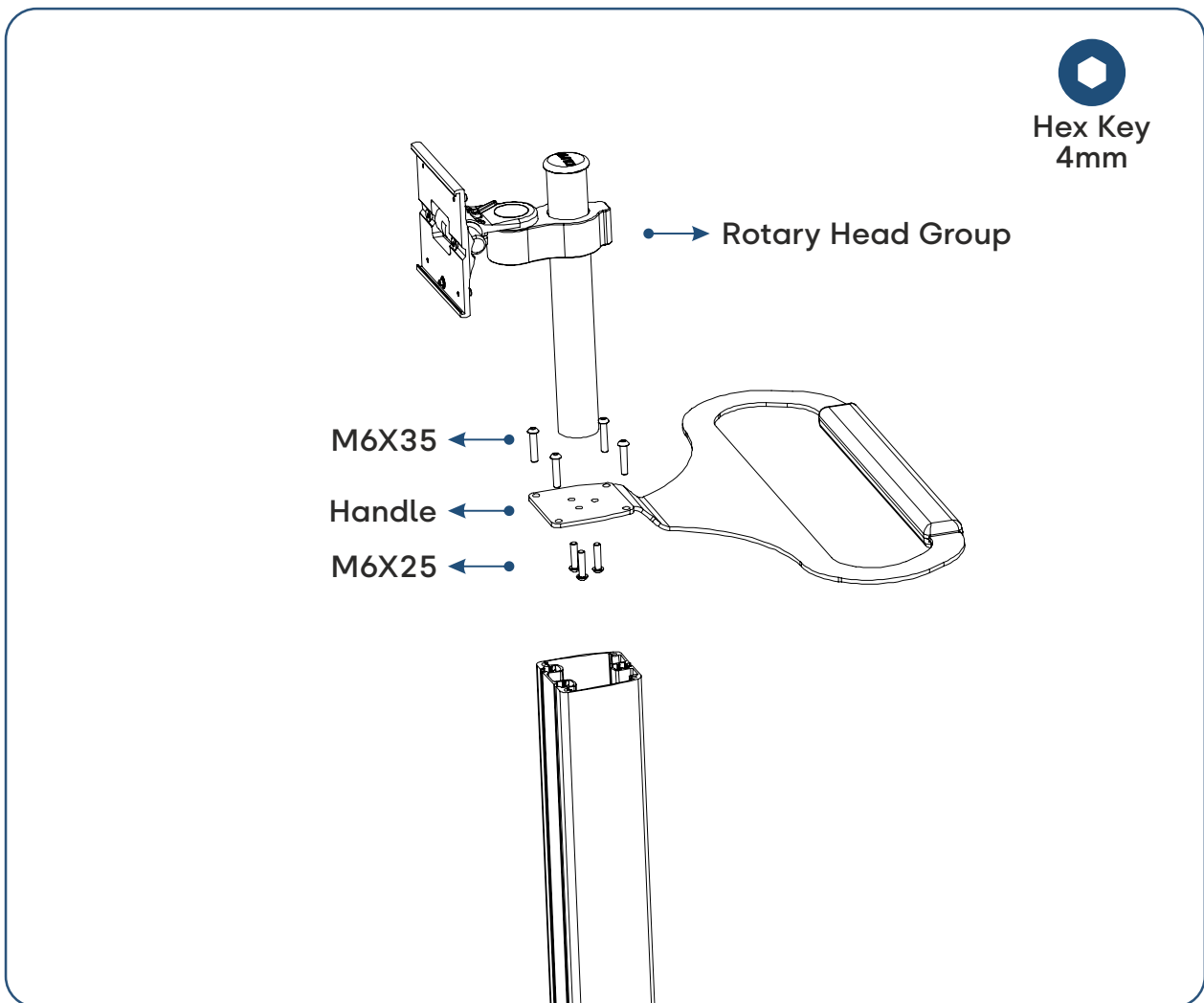


Bolt the basket to the mounting plate on the body profile as shown.



Make sure all bolts are fully tightened.

4. Rotary Head Assembly

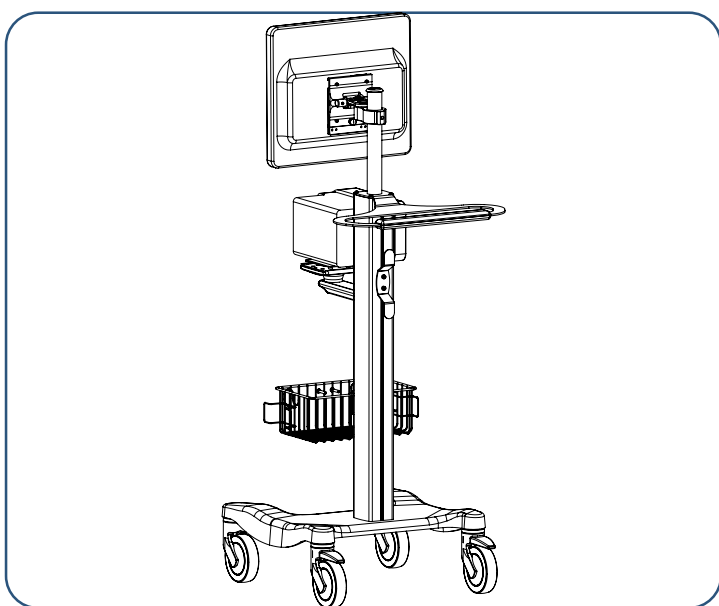
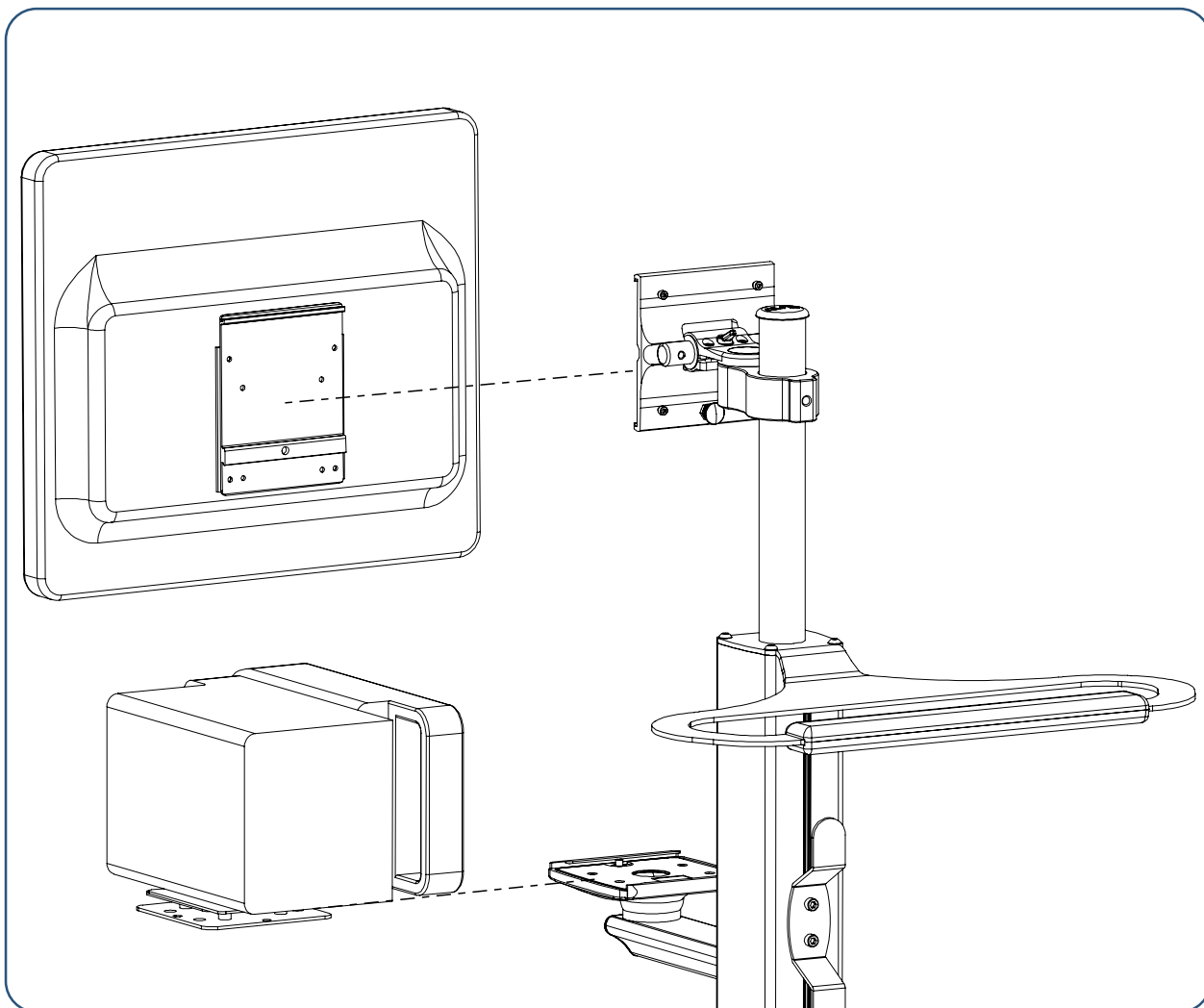


To attach the frame to the arm, screw the runner to the frame and fix the runner with the pin by inserting it into the rail on the arm.



Make sure the pin is fully seated.

5. Canvas1000 & CS One Assembly



Fix the back of the Canvas 1000 monitor with the VESA cradle bolt. Then insert the VESA slide into the slide holder on the rotary assembly and secure it with the pin.



Make sure the pin is fully seated.

VGA-60D-CANVAS1000

